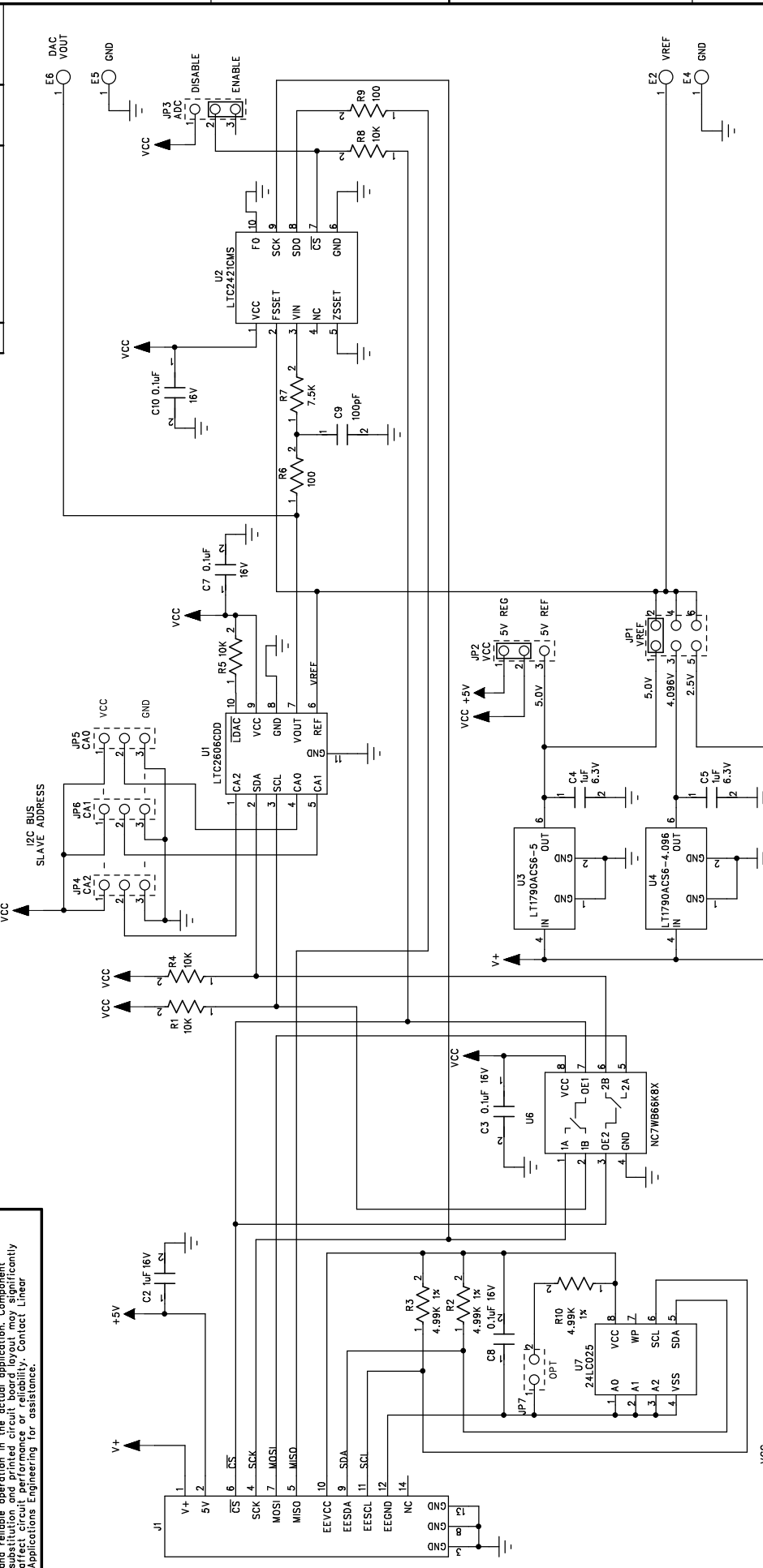


This circuit is proprietary to Linear Technology and supplied for use with Linear Technology parts.
 Customer Notice: Linear Technology has made a best effort to design a circuit that meets customer-supplied specifications; however, it remains the customer's responsibility to verify proper operation of the circuit. Contact your local sales office for substitution and printed circuit board layout may significantly affect circuit performance or reliability. Contact Linear Applications Engineering for assistance.

REVISION HISTORY	
REV	DESCRIPTION
2	PROTO



CONTRACT NO.		630 McCarthy Blvd. Phone: (408)432-1900 Milpitas, CA 95035 Fax: (408)434-0507	
APPROVALS		TITLE	
DRAWN MEI	DATE 9/7/04	SCH, LTC2606CDD, 16-BIT RAIL-TO-RAIL VOUT DAC, I2C INTERFACE	
CHECKED		SIZE	CAGE CODE
APPROVED		B	
DESIGNED BY		DWG NO.	DC812A
		SCALE	NONE
		FILENAME:	812A-2.SCH
		SHEET	1 OF 1

APPROVALS		TITLE	
DRAWN MEI	DATE 9/7/04	SCH, LTC2606CDD, 16-BIT RAIL-TO-RAIL VOUT DAC, I2C INTERFACE	
CHECKED		SIZE	CAGE CODE
APPROVED		B	
DESIGNED BY		DWG NO.	DC812A
		SCALE	NONE
		FILENAME:	812A-2.SCH
		SHEET	1 OF 1

Tooling Holes